



Technical Documentation

ZRF-P 2040 TIMING BELT CONVEYOR

Each serial number is unique to that specific conveyor and provides mk North America with complete order details.

The conveyor serial number is located on the frame at the drive end of the conveyor; it's affixed to the black drive train cover which has the gear motor mounted to the back plate. If there is no black drive train cover, the serial number is affixed to the frame. See section 2 for more details.

Your serial number is also recorded above.

Ensure the serial number tag above matches the serial number on your conveyor.

Technical Documentation

ZRF-P 2040

1	General Information	3
2	Decoding Your Serial Number	4
3	Conveyor Description	5
4	Warranty Information	7
5	Safety Requirements	8
6	Wear Items & Maintenance For Specific Drive & Tail Options	10
7	Conveyor Belt Maintenance - Tensioning & Tracking	16
8	Conveyor Belt Maintenance - Belt Replacement	18
9	Conveyor Maintenance - Tensioning & Greasing Of Drive Chain	20
10	Notes & Contact Information	23
10.2	Contacting mk North America, Inc.v	23

1 GENERAL INFORMATION

1.1 Foreword

Congratulations on purchasing a conveyor from mk North America, Inc., a leading manufacturer of quality low profile conveyors. Our more than 25 years experience in material handling allows us to offer robust solutions with long life and reliable operation. We strive to make the best products in the industry even better and we are committed to making sure our customers get top notch support before, during, and after each and every sale.

1.2 The importance of reading your manual

Inside this manual you will find the instructions on how to set up and maintain your mk conveyor properly, as well as maximize its performance. Please take the time to read this manual and familiarize yourself with these set up and maintenance instructions. These instructions will help assure a long product life that requires a minimum amount of service and keeps your conveyor working at its maximum capacity.

1.3 If you need assistance

If you need assistance there are a variety of ways to get it. You can contact our customer service team Monday through Friday, 8am-5pm (Eastern Time) at 860-769-5500. You can also visit our website for additional information and technical documentation at www.mknorthamerica.com. In addition, your local representative can provide support in many instances.

1.4 When your shipment arrives

- 1) Check your shipment
 - a) If you have not already done so, visually inspect the shipping crate/container for any damage caused during shipment.
 - b) Carefully unpack the crate/container making sure to inspect the components for damage that may have occurred inside the packaging materials.
 - c) If you find any damage, please contact the carrier and mk North America, Inc.
 - d) Lastly, check the contents against the packing slip provided by mk for any discrepancies. If you should find any, please contact mk North America, Inc.
- 2) Locate your ordered items
 - a) Each mk conveyor will ship in its own custom built container, carefully packaged in the most economical way.
 - b) Review the packing slip against your Purchase Order.

Technical Documentation

ZRF-P 2040

2 DECODING YOUR SERIAL NUMBER

- The conveyor's serial number is located on the frame at the drive end of the conveyor; it is affixed to the black drive train cover which has the gearmotor mounted to the back plate.
- If there is no black drive train cover, the serial number is affixed to the frame.
- See image below for label example.
- **YOUR SERIAL NUMBER IS ON THE FRONT COVER OF THIS MANUAL.**
- We have provided an area in the back of this manual for you to add any notes about this unit.



Serial #: This number is unique to this item. With this number we can access all of the original order details.

Date: This is the date that the unit was scheduled to ship.

Type: This description refers to the type of unit that is associated with the particular serial number. The type should NOT be substituted for the serial number when inquiring.

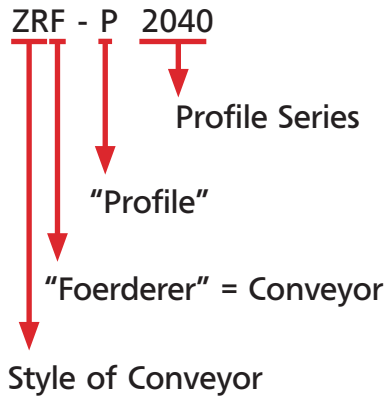
DWG#: This number, if applicable, refers to the specific drawing that was created for this unit. Not all orders require a drawing and therefore in some cases no DWG# is assigned. If your DWG# field is blank it is not a cause for concern.

SO#: This is the shop order number in which this unit was built. This is an mk North America, Inc. internal number. This number is also referenced on any related invoices, etc.

3 CONVEYOR DESCRIPTION

3.1 Conveyor Description

Designations:



GUF (Gurt Foerderer) Belt Conveyor

KTF (Kettengurt Foerderer) Chain Conveyor

KFG (Knickfoerderer Gurt) Bent Belt Conveyor

KGF (Kurvengurt Foerderer) Curve Belt Conveyor

MBF (Modulband Foerderer) Modular Belt Conveyor

SBF (Scharnierband Foerderer) Hinged Belt Conveyor

SRF (Staurollen Foerderer) Accumulating Roller Conveyor

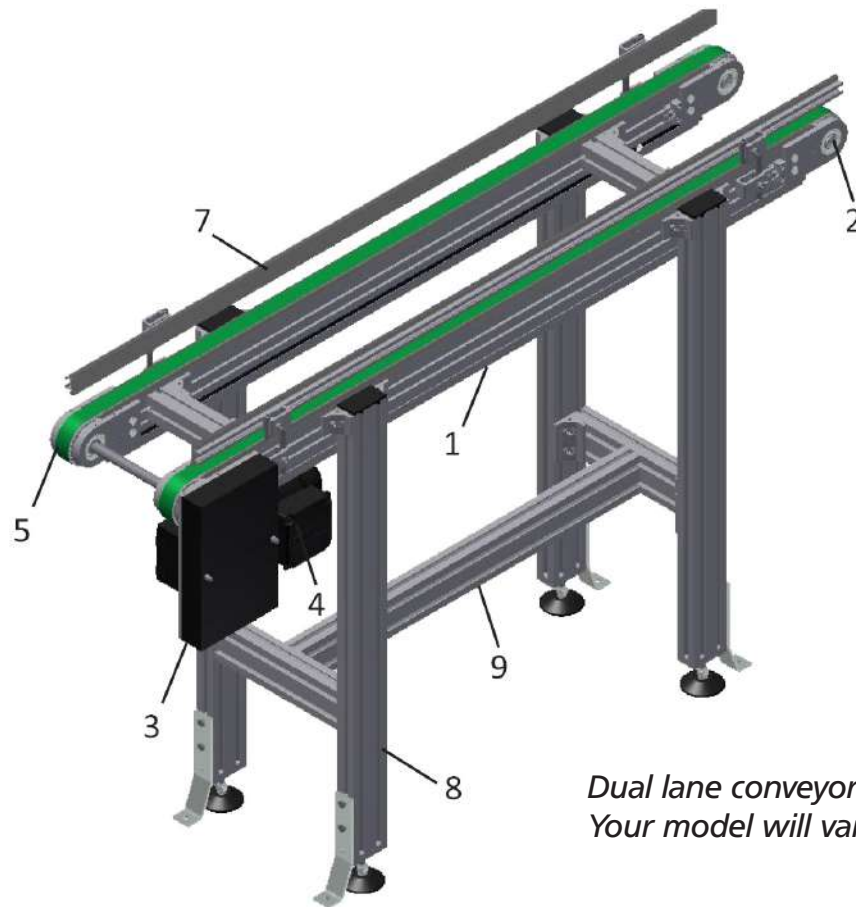
Technical Documentation

ZRF-P 2040

3 CONVEYOR DESCRIPTION (CONT.)

3.2 Conveyor Components

The ZRF-P 2040 has many typical conveyor components. Below is a description of the basic parts and options for the ZRF-P 2040 conveyor. The items you receive will vary based on your actual purchase order. Items may appear different on your model based on your particular order requirements. Consult your approval drawing for specific items included in your order.



*Dual lane conveyor shown.
Your model will vary.*

Typical Components

- 1) Conveyor Frame
- 2) Idler End
- 3) Gearmotor Mount/Drive Assembly - **serial number plate mounted here**
- 4) Gearmotor
- 5) Timing Belt
- 6) Controller (Not shown)
- 7) Side Rails
- 8) Support Stand
- 9) Stand Stringer

4 WARRANTY INFORMATION

Limited Warranty

mk North America, Inc. (MKNA) warrants that our products are free from defects in workmanship and materials under normal use and with proper maintenance and cleaning for a period of ten (10) years from the date of shipping from MKNA's facility. This warranty is extended by MKNA only to the original purchaser of the equipment (Customer), and is non-transferable. All warranty requests shall be made by Customer.

MKNA will repair or replace, at our factory, any defective part within the warranty period and without charge. It is at MKNA's sole discretion whether to repair or replace. Customer will provide MKNA prompt written notice of the defect, including the serial number of the unit (when applicable) and the ship date.

This warranty does not apply to equipment and components manufactured by others, whether or not such equipment and components if the other manufacturer are covered by a warranty. Such equipment and components are subject to any limitation contained in the original manufacturer's warranty and include, but are not limited to: bearings, belts, casters, controllers, motors and pneumatic devices.

At MKNA's request Customer will return all defective parts for evaluation at MKNA. MKNA will provide the Customer with a return goods authorization number (RGA#). No parts will be returned without a RGA#. The RGA# must clearly be marked on all labels, packages and packing slips.

Customer shall pay all costs for packaging, shipping, duties and/or any other related costs in the sending or receiving of parts. Customer is responsible for all labor associated with sending or receiving of parts.

No work will be performed by MKNA or an MKNA factory authorized service representative at the site of installation unless in MKNA's opinion it is impractical for Customer to remove and return the defective part to MKNA's factory.

MKNA PROVIDES NO WARRANTY OF MERCHANTABILITY OR FITNESS FOR A PARTICULAR PURPOSE; UNLESS IT IS AGREED TO BY MKNA AND CUSTOMER IN WRITING PRIOR TO PLACEMENT OF ORDER. Such agreement requires approval of MKNA management.

UNDER NO CIRCUMSTANCES SHALL MKNA BE LIABLE FOR DAMAGES OR LIABILITY FOR LOSS OF PRODUCTION, PRODUCT, EQUIPMENT OR PROFITS OR LIABILITY FOR DIRECT, INCIDENTAL, INDIRECT, SPECIAL OR CONSEQUENTIAL DAMAGES OR ANY DAMAGES TO PERSONS OR PROPERTY, WHATSOEVER. Customer agrees that Customer's sole remedy for liability of any kind, including negligence with respect to the equipment and services furnished by MKNA shall be limited to the remedies provided herein. This warranty shall not apply to any failure of the unit or its components caused by lack of maintenance and/or improper maintenance, incorrect adjustments, misuse or unreasonable use or exposure to chemicals and/or environments which the unit is not designed for. Unauthorized modification of the unit or the use of non-MKNA replacement parts and building components voids this warranty.

EXCEPT AS EXPRESSLY STATED HEREIN, THERE ARE NO WARRANTIES, EXPRESSED OR IMPLIED, BY OPERATION OF LAW OR OTHERWISE, OF THE EQUIPMENT OR SERVICES FURNISHED BY MK OR FACTORY AUTHORIZED SERVICE REPRESENTATIVE. THERE ARE NO WARRANTIES WHICH EXTEND BEYOND THE DESCRIPTION ON THE FACE HEREOF.

Technical Documentation

ZRF-P 2040

5 SAFETY REQUIREMENTS

5.1 Warnings - Safety Guidelines

READ AND UNDERSTAND ALL OF THESE WARNINGS PRIOR TO OPERATING EQUIPMENT.



5 SAFETY REQUIREMENTS (CONT.)



Technical Documentation

ZRF-P 2040

6 WEAR ITEMS & MAINTENANCE FOR SPECIFIC DRIVE OPTIONS

6.1	Important Notes About Wear Items & Maintenance	11
6.2	ZRF-P 2040 AC	12
6.3	ZRF-P 2040 AS	14

6 WEAR ITEMS & MAINTENANCE FOR SPECIFIC DRIVE OPTIONS

6.1 Important Notes About Wear Items & Maintenance

The following information regarding life of the wear items and service or adjustment intervals of the functional elements are only GUIDELINES. Conveyors are application-specific products whose life expectancy can vary depending on their relative loads and speeds, and which can be significantly influenced by environmental factors.

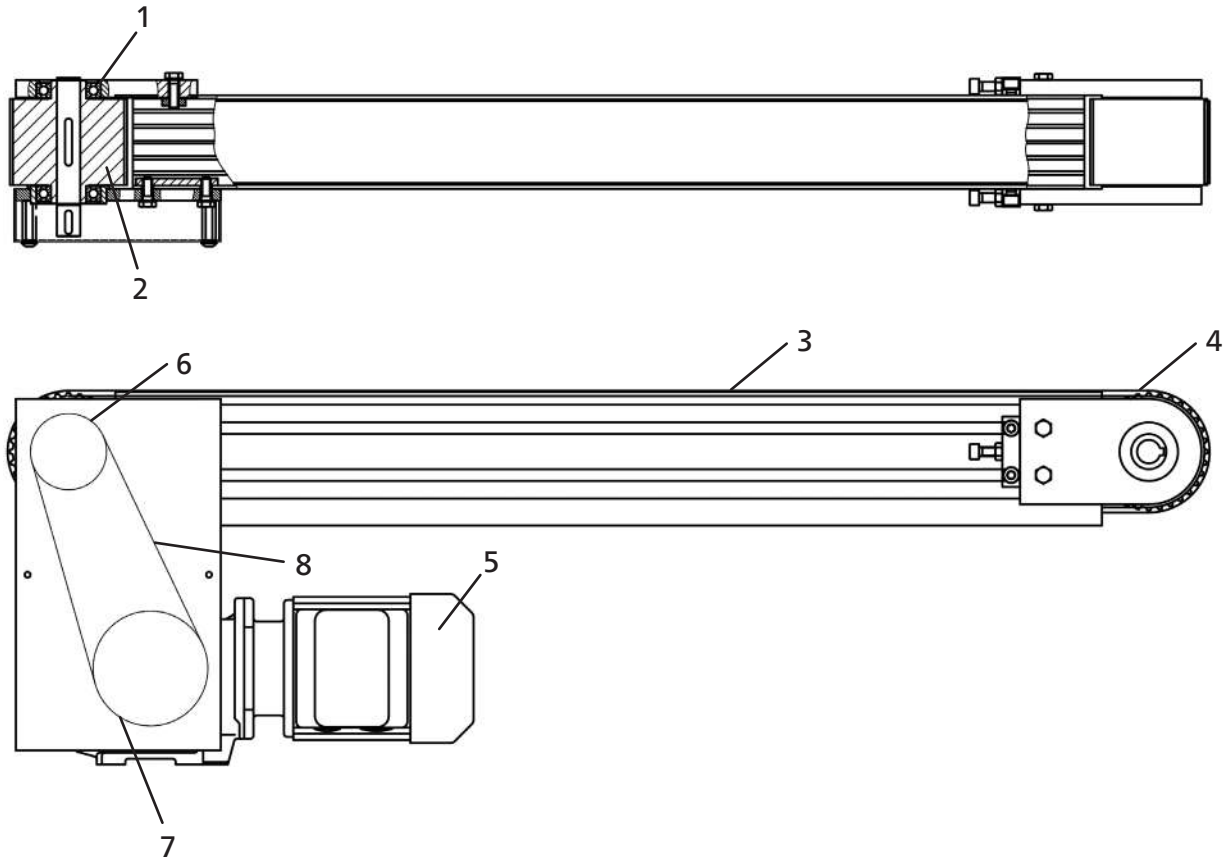
- All moving components and screw connections should be checked every 6 months.
- All safety-relevant components should be part of a regularly scheduled weekly inspection
- The proper function of these components must be confirmed at all times.
- Do NOT operate conveyors if safety-relevant components are damaged or missing.
- All parts which contact the product should be cleaned weekly (example: belt).
- Remove heavy grease coatings with ethyl alcohol.
- Blow off debris from belts with structured surfaces using compressed air.

Technical Documentation

ZRF-P 2040

6 WEAR ITEMS & MAINTENANCE FOR SPECIFIC DRIVE OPTIONS (CONT.)

6.2 ZRF-P 2040 AC



NOTE: Not all items shown in all views for clarity.

(Cont.)

6 WEAR ITEMS & MAINTENANCE FOR SPECIFIC DRIVE OPTIONS (CONT.)

6.2 ZRF-P 2040 AC (Cont.)

Maintenance Work for ZRF-P 2040 AC

Position	Description	Action*	Interval in Hours (Months)	Lubrication
1	Roller Bearing	I	1,000 Hours (Max. 6 Months)	
2	Drive/Idler Sprocket	I, C	500 Hours (Max. 3 Months)	
3	Wear Strip	I, C	500 Hours (Max. 3 Months)	
		R	If wear visible	
4	Timing Belt	I, C	500 Hours (Max. 3 Months)	
		R	If wear visible	
5	Gearmotor	I, C	Service & maintenance per manufacturer's documentation	
6 & 7	Drive Train Sprockets	I, C	500 Hours (Max. 3 Months)	SAE20-SAE50
8	Drive Train Chain	I, C, T, L	500 Hours (Max. 3 Months)	SAE20-SAE50
		R	If chain stretch is greater than 3%	

* LEGEND: *Inspect, Replace, Tension, Clean, Lubricate (grease).*

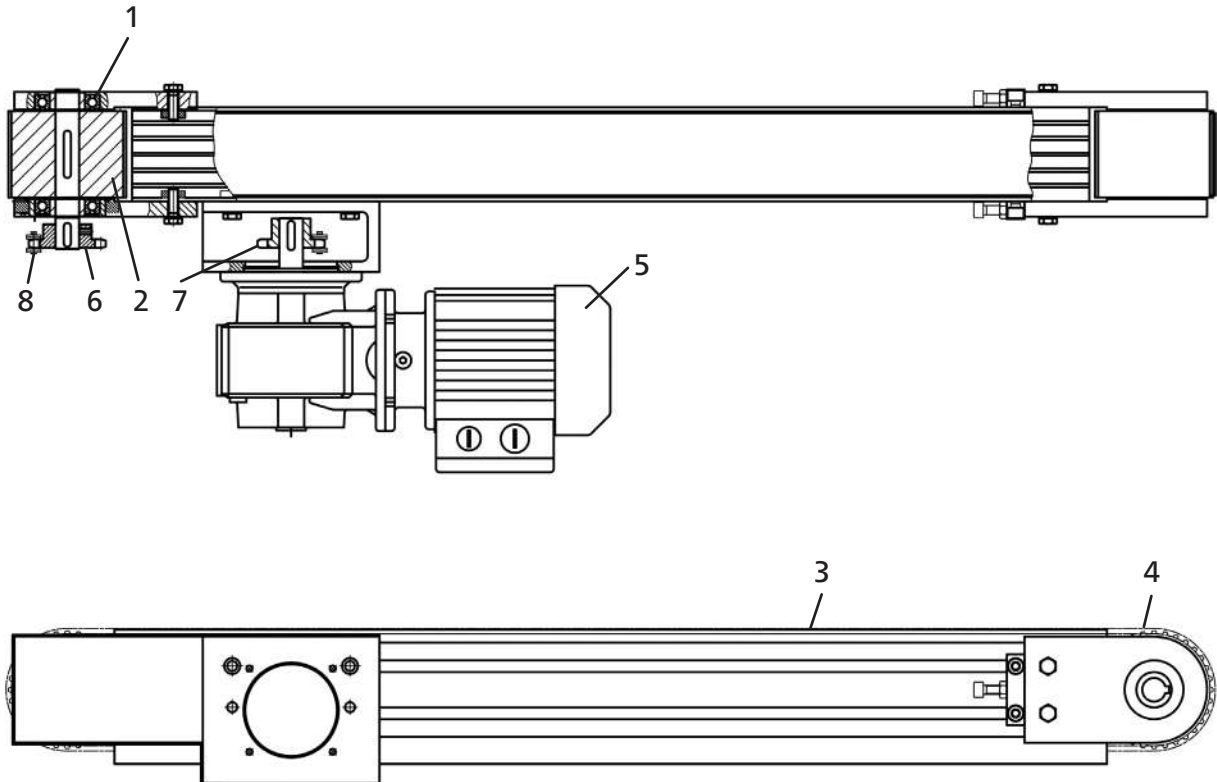
Position	Description	Part Number
1	Roller Bearing 6006-2RS1	K101000428
2	Drive/Idler Sprocket	Inquire with mk North America
3	Wear Strip	Inquire with mk North America
4	Belt	Inquire with mk North America
5	Gearmotor	Inquire with mk North America
6	Sprocket at Drive Roll	Inquire with mk North America
7	Sprocket at Gearmotor	Inquire with mk North America
8	Chain & Connecting Link	Inquire with mk North America

Technical Documentation

ZRF-P 2040

6 WEAR ITEMS & MAINTENANCE FOR SPECIFIC DRIVE OPTIONS (CONT.)

6.3 ZRF-P 2040 AS



NOTE: Not all items shown in all views for clarity.

(Cont.)

6 WEAR ITEMS & MAINTENANCE FOR SPECIFIC DRIVE OPTIONS (CONT.)

6.3 ZRF-P 2040 AS (Cont.)

Maintenance Work for ZRF-P 2040 AS

Position	Description	Action*	Interval in Hours (Months)	Lubrication
1	Roller Bearing	I	1,000 Hours (Max. 6 Months)	
2	Drive/Idler Sprocket	I, C	500 Hours (Max. 3 Months)	
3	Wear Strip	I, C	500 Hours (Max. 3 Months)	
		R	If wear visible	
4	Timing Belt	I, C	500 Hours (Max. 3 Months)	
		R	If wear visible	
5	Gearmotor	I, C	Service & maintenance per manufacturer's documentation	
6 & 7	Drive Train Sprockets	I, C	500 Hours (Max. 3 Months)	SAE20-SAE50
8	Drive Train Chain	I, C, T, L	500 Hours (Max. 3 Months)	SAE20-SAE50
		R	If chain stretch is greater than 3%	

* LEGEND: *Inspect, Replace, Tension, Clean, Lubricate (grease).*

Position	Description	Part Number
1	Roller Bearing 6006-2RS1	K101000428
2	Drive/Idler Sprocket	Inquire with mk North America
3	Wear Strip	Inquire with mk North America
4	Belt	Inquire with mk North America
5	Gearmotor	Inquire with mk North America
6	Sprocket at Drive Roll	Inquire with mk North America
7	Sprocket at Gearmotor	Inquire with mk North America
8	Chain & Connecting Link	Inquire with mk North America

Technical Documentation

ZRF-P 2040

7 CONVEYOR BELT MAINTENANCE - TENSIONING & TRACKING



**All work to be performed by qualified personnel only.
Conveyor power must be disconnected before replacing the belt.**

7.1 Standard Idler

17

General Remarks:

- Belts may need to be tracked due to shifting during shipping.
- Prior to delivery of the mk conveyor, the belt was tensioned and tracked at the factory.
- Belt tracking should only be done at the idler end.
- Avoid over tensioning the belt, increase slack in belt if necessary.

7 CONVEYOR BELT MAINTENANCE - TENSIONING & TRACKING (CONT.)

7.1 Standard Idler



All work to be performed by qualified personnel only.

Belt Tensioning

Caution!

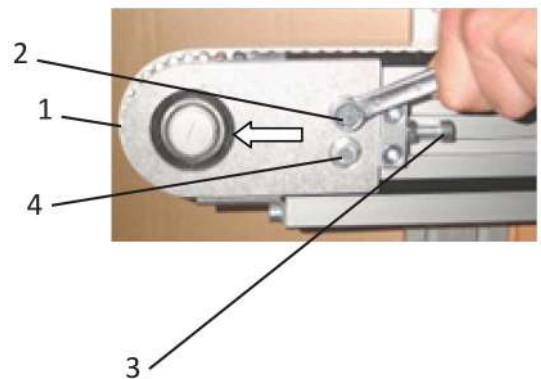
Belt tensioning is only to be done at the idler end (opposite the motor end).

General Instructions:

- The belt was tensioned and adjusted at the factory before delivery of the mk product.

Loosen screws (2) and (4) to pull the entire assembly (1) out (arrow direction) in order to pretension the timing belt. Tighten screw (4) and then finally adjust the timing belt with screw (3), see below.

Tighten bolt (2).

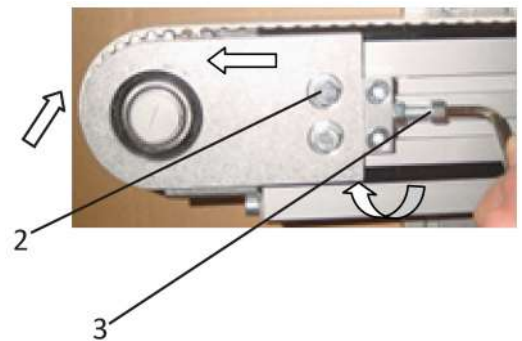


Belt Tracking

Caution!

Tracking (or realignment) of the belt must only be done while the belt is moving (pinch points).

Adjust bolt (2) and screw (3) in the direction of the arrow, for the fine adjustment to the timing belt until the belt is running centrally on the pulley. Tighten the bolt (2).



Technical Documentation

ZRF-P 2040

8 CONVEYOR BELT MAINTENANCE - BELT REPLACEMENT



**All work to be performed by qualified personnel only.
Conveyor power must be disconnected before replacing the belt.**

8.1 Standard Idler

19

General Remarks:

- Prior to replacing the belt, the tail assembly must be completely loosened and retracted – instructions for this to follow.
- Any auxiliary parts that interfere must be removed.
- One side of the conveyor must be free and clear of all interferences. THIS IS BEST DONE ON THE SIDE WITHOUT THE MOTOR MOUNT.
- Reassemble in reverse order.
- Replacement belts must be tracked and tensioned prior to use. (see Section 7)

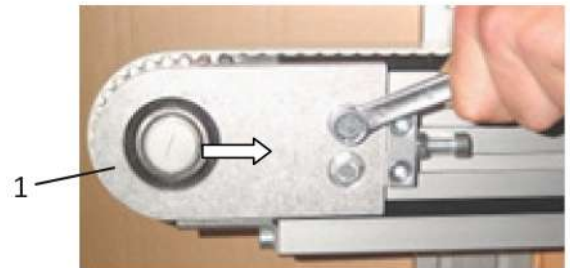
8 CONVEYOR BELT MAINTENANCE - BELT REPLACEMENT (CONT.)



All work to be performed by qualified personnel only.

8.1 Standard Idler

Loosen all bolts and push the entire head (1) inwards (in the direction of the arrow), in order to create slack in the timing belt.



Additional Instructions:

- The belt can now be replaced once all auxiliary obstructions are removed.
- Slide the existing belt off the free side of the conveyor frame.
- To replace belt, slip it over the side of the conveyor.
- Reassemble conveyor in the reverse order and the track and tension belt prior to use. (see Section 7)

Technical Documentation

ZRF-P 2040

9 CONVEYOR MAINTENANCE - TENSIONING & GREASING OF DRIVE CHAIN



All work to be performed by qualified personnel only.
Conveyor power must be disconnected before performing maintenance.

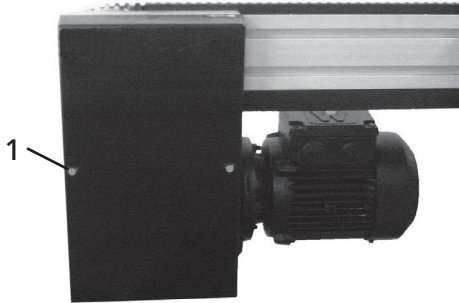
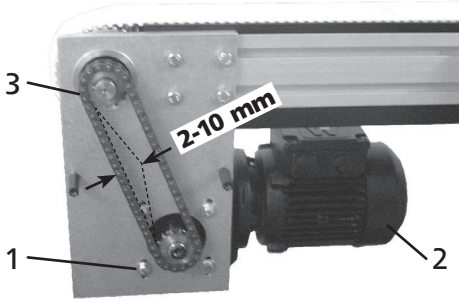
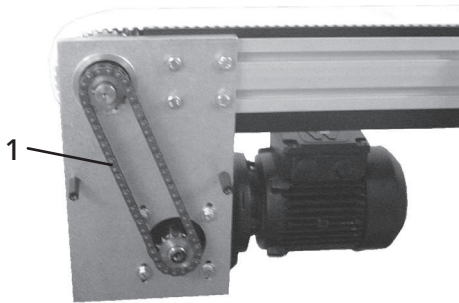
Do NOT lubricate timing belt and pulley drive trains.

9.1	ZRF-P 2040 AC	21
9.2	ZRF-P 2040 AS	22



9 CONVEYOR MAINTENANCE - TENSIONING & GREASING OF DRIVE CHAIN

9.1 Tensioning & Greasing of the Drive Chain - ZRF-P 2040 AC

<p>Remove both cap nuts (1) and remove chain guard.</p>	
<p>Loosen the motor mounting screws (1). Move the motor (2) in the arrow direction to tension the drive chain (3).</p> <p>Do not over-tension the drive chain!</p> <p>Proper chain tension should allow 2-10 mm of play on one side.</p>	
<p><u>Drive Chain Lubrication</u></p> <p>The drive chain (1) must be lubricated with grease in accordance with the maintenance instructions (See Section 6). Apply the lubricant with a brush to the chain edges, in order for the lubricant to penetrate the links completely.</p>	



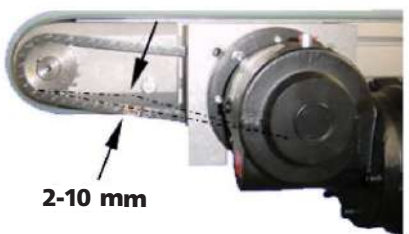
Note: Reassemble in reverse order; ensuring all screws are tight and all guards are in place before operating.

Technical Documentation

ZRF-P 2040

9 CONVEYOR MAINTENANCE - TENSIONING & GREASING OF DRIVE CHAIN (CONT.)

9.2 Tensioning & Greasing of the Drive Chain - ZRF-P 2040 AS

<p>Remove both upper and lower screws and remove chain guard.</p>	
<p>Loosen both console mounting screws (1). Move the motor (2), including the motor console, in the arrow direction to tension the drive chain (3).</p> <p>Do not over-tension the drive chain!</p> <p>Proper chain tension should allow 2-10 mm of play on one side (see 4.9, Drive Chain Lubrication).</p>	
<p><u>Greasing the Drive Train</u></p> <p>The drive chain (1) must be lubricated with grease in accordance with the maintenance instructions (See Section 6).</p> <p>Apply the lubricant with a brush to the chain edges in order for the lubricant to penetrate the links completely.</p>	

10 NOTES & CONTACT INFORMATION

10.1 Record Your Notes

10.2 Contacting mk North America, Inc.



Email: sales@mknorthamerica.com



Phone: 860.769.5500



Fax: 860.769.5505

Technical Documentation
ZRF-P 2040
Timing Belt Conveyor

mk North America, Inc.
an mk Technology Group Company
105-125 Highland Park Drive
Bloomfield, CT 06002, USA
Phone: 860.769.5500
Fax: 860.769.5505
www.mknorthamerica.com
sales@mknorthamerica.com